

3MP HD Outdoor Bullet Wi-Fi Camera

Uho-B2D-M3F3D



Features

- High quality image with 3MP, 1/3.0"CMOS sensor and F1.6 aperture lens
 - 3MP (2304*1296) @25/20fps; 2MP (1920*1080) @30/25fps; 720P (1280*720) @30/25fps
 - Ultra 265, H.265, H.264, MJPEG
 - Built-in Mic
 - Built-in Speaker
 - Smart IR, up to 20m (66ft) IR distance
 - Warm Light, up to 10m (33ft) warm light distance
 - Support Dual Light mode, switch between IR and warm lights when the preset is triggered
 - Support 512G Micro SD card
 - Wi-Fi connection and easy installation
 - IP67 protection
 - 3-Axis
-

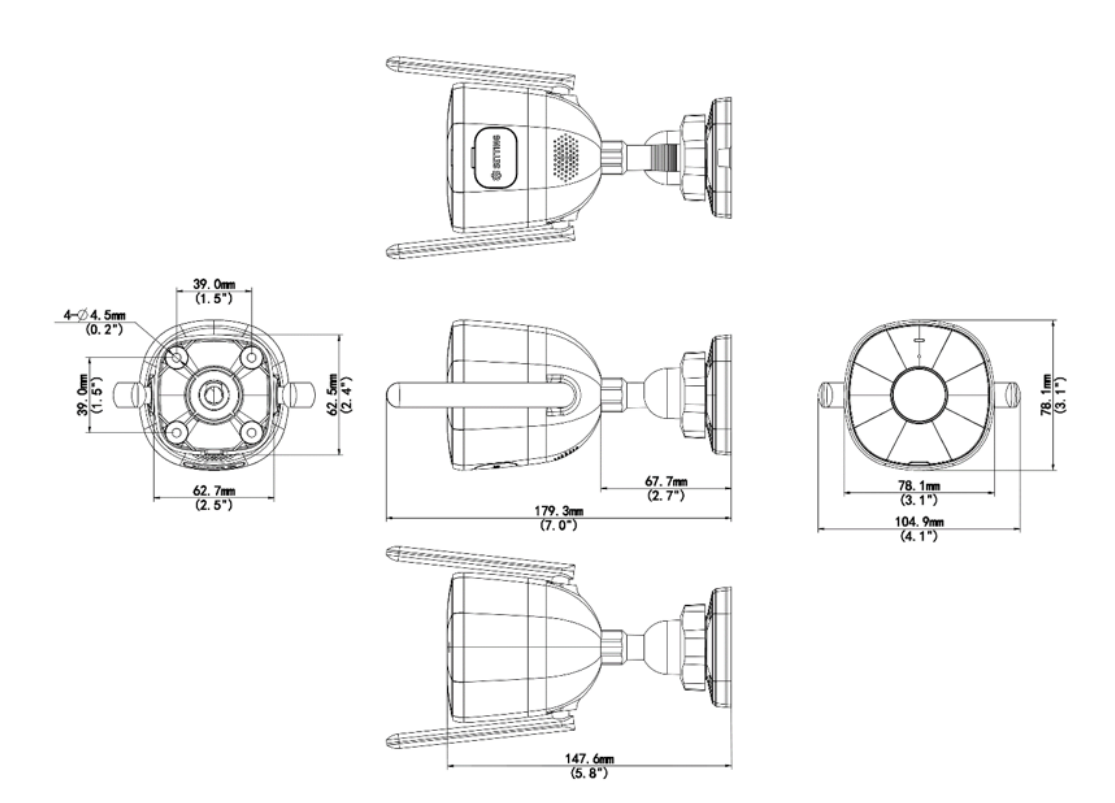
Specifications

| | |
|------------------------------------|------------------------------------------------------|
| Camera | Uho-B2D-M3F3D |
| Max Resolution | 3MP |
| Sensor | 1/3.0" CMOS |
| Min. Illumination | Color: 0.003 Lux (F1.6, AGC ON), 0 Lux with IR |
| Day/Night | IR-cut filter with auto switch (ICR) |
| Shutter | Auto/Manual, 1 to 1/100000s |
| WDR | DWDR |
| Adjustment Angle | Pan: 0° to 360°, Tilt: 0° to 90°, Rotate: 0° to 360° |
| S/N | >52 dB |
| Lens | |
| Focal Length | 2.8mm |
| Iris | F1.6 |
| Iris Type | Fixed |
| Field of View (H) | 108.5° |
| Field of View (V) | 62.9° |
| Field of View (D) | 118.1° |
| DORI | |
| DORI Distance (Lens) | 2.8mm |
| DORI Distance (Detect) | 46.7m(153.1ft) |
| DORI Distance (Observe) | 18.7m(61.2ft) |
| DORI Distance (Recognize) | 9.3m(30.6ft) |
| DORI Distance (Identify) | 4.7m(15.3ft) |
| Illuminator | |
| Illumination Distance (IR) | 20 m (65.6 ft) |
| Illumination Distance (Warm Light) | 10 m (32.8 ft) |
| IR On/Off Control | Auto/Manual |
| Wavelength | 850 nm |
| Supplemental Light | Dual Light |
| Image | |
| White Balance | Auto, Outdoor, Fine tune, Sodium lamp, Locked, Auto2 |
| Smart IR | Support |
| Digital Noise Reduction | 2D/3D DNR |
| Dewarping | N/A |
| Flip | Normal, Flip vertical, Flip horizontal, 180° |
| HLC | N/A |
| BLC | N/A |
| Defog | Digital defog |

| | |
|------------------------|-------------------------------------------------------------------------------------------------------------------------------------------------------------------------------------------|
| Events | |
| Basic Detection | Motion detection, Ultra motion detection, Audio detection, Tampering alarm |
| General Function | IP address filtering, Access policy, ARP protection, RTSP authentication, User authentication, HTTP authentication |
| Network | |
| Wi-Fi | 2.4G Wi-Fi (IEEE802.11b/g/n), built-in antenna |
| Protocols | IPv4, TCP, UDP, DHCP, RTSP, DNS, DDNS, NTP, HTTP |
| Compatible Integration | API, SDK |
| User/Host | Up to 32 users, 2 user levels: administrator and common user |
| Client | Guard Live |
| Web Browser | Plug-in required live view: IE 10+, Chrome 45+, Firefox 52+, Edge 79+ |
| Storage | |
| Edge Storage | MicroSD, up to 512 GB |
| Network Storage | ANR |
| Video | |
| Video Compression | Ultra 265, H.265, H.264, MJPEG |
| H.264 Code Profile | Baseline Profile, Main Profile, High Profile |
| Frame Rate | Main Stream: 3MP (2304*1296), Max 25fps; 1080P (1920*1080), Max 30fps; 720P (1280*720), Max 30fps. Sub Stream: 640*360, Max 30fps; 2CIF (704*288), Max 30fps; CIF (352*288), Max 30fps |
| Video Bit Rate | 128 Kbps to 2048 Mbps |
| U-Code | Support |
| OSD | Up to 4 OSDs |
| Privacy Mask | Support (Only NVR) |
| ROI | Up to 8 areas |
| Video Stream | Dual Streams |
| Audio | |
| Audio Compression | G.711U, G.711A |
| Audio Bitrate | 64 kbps |
| Two-Way Audio | Support |
| Suppression | Support |
| Sampling Rate | 8 kHz |
| Interface | |
| Audio I/O | N/A |
| Alarm I/O | N/A |
| Built-In Mic | Support |
| Built-In Speaker | Support |
| WIFI | Support |
| Network | 1 × RJ45 10 M/100 M Base-TX Ethernet |
| Video Output | N/A |

| Certification | |
|---------------------|------------------------------------------------------------------------------------------|
| EMC | CE-EMC (EN 55032, EN 61000-3-3, EN IEC 61000-3-2, EN 55035) FCC (FCC 47 CFR part15 B) |
| Safety | CE-LVD (EN 62368-1) |
| RF | FCC ID (FCC CFR 47 part15 C)CE RED (EN 301 489-1, EN 301 489-17, EN 300 328, EN 62311) |
| Environment | CE-RoHS (2011/65/EU;(EU)2015/863); WEEE (2012/19/EU) |
| Protection | IP67 (IEC 60529) |
| General | |
| Power | DC 12V±25% |
| Power Consumption | Max. 5.7 W |
| Power Interface | Ø5.5 mm coaxial power plug |
| Dimensions | 148 × 78 × 78mm (5.8" × 3.1" × 3.1") |
| Weight | 0.31 kg (0.68 lb) |
| Working Environment | -30 °C to 60 °C (-22 °F to 140 °F), Humidity: ≤ 95% RH (non-condensing) |
| Storage Environment | -30 °C to 60 °C (-22 °F to 140 °F), Humidity: ≤ 95% RH (non-condensing) |
| Surge Protection | 4 KV |
| Reset Button | Support |
| Material | Metal + Plastic |
| LED Indicator | 1, red/blue |

Dimensions



Accessories

GV-JB5A

Square Junction Box



GV-PS6B

Pole Strap Bracket



GV-A1

3/4" Plastic Waterproof Joint



GV-PS6C-V2

Pole Strap Bracket



GV-CM8C-V2

Corner Mount Bracket



GV-SM05

Electrical Transfer Plate

